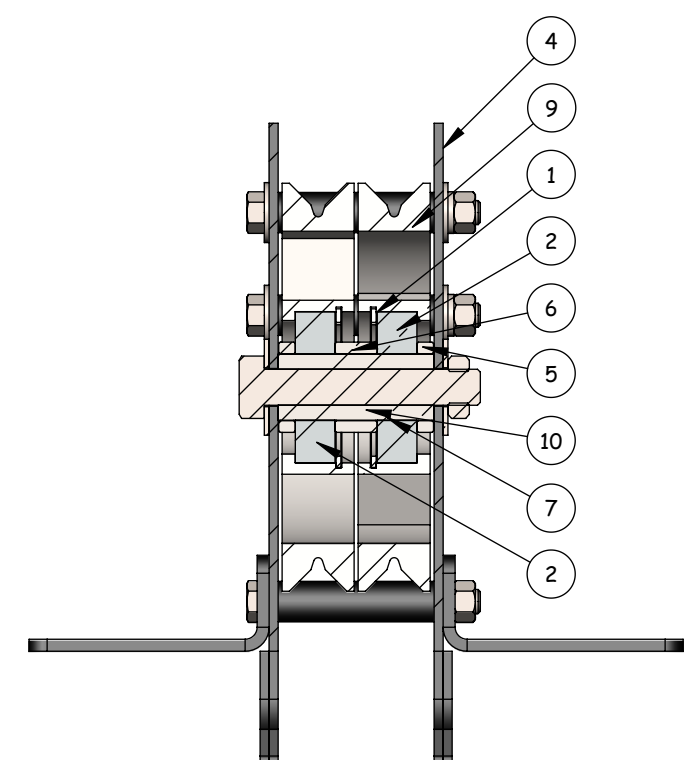
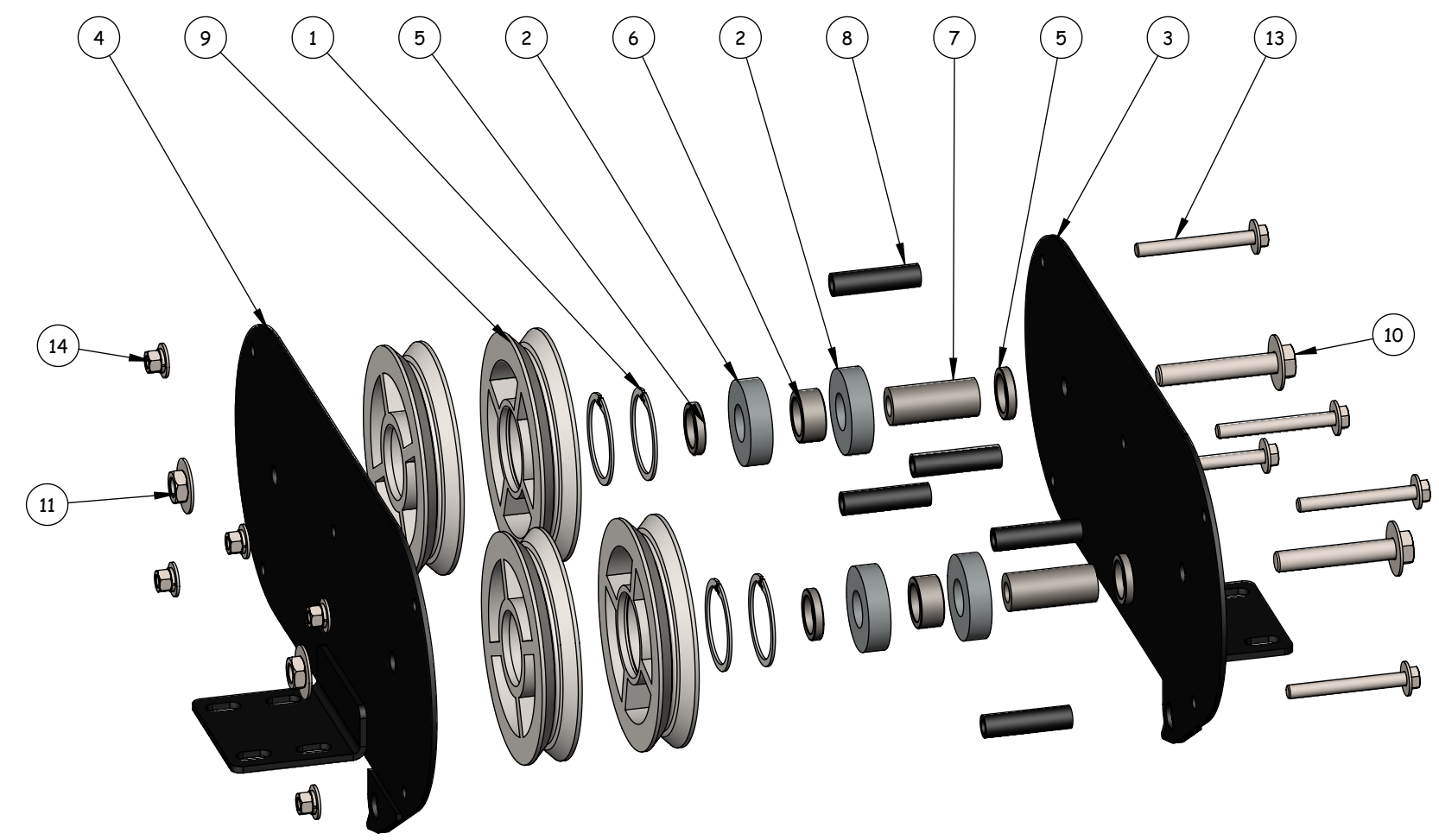


ITEM NO.	PART NUMBER	DESCRIPTION	QTY.	PROCESS	ITEM NO.	PART NUMBER	DESCRIPTION	QTY.	PROCESS
1	U5-075-002	INTERNAL SNAP RING - SHEAVE	4	PURCHASED	10	.75 X 4.5 NC BOLT	3/4" x 4 1/2" NC BOLT	2	PURCHASED
2	U5-075-001	BEARING 80x35x21mm	4	PURCHASED	11	.75 NYLOCK NUT	3/4" NYLOCK NC NUT	2	PURCHASED
3	U5-008-A03	SIDE PLATE WELDMENT - 1	1	FABRICATED	12	.75 FLAT WASHER	3/4" FLAT WASHER	4	PURCHASED
4	U5-008-A02	SIDE PLATE WELDMENT - 2	1	FABRICATED	13	.5 X 4.5 NC BOLT	1/2" x 4 1/5" NC BOLT	5	PURCHASED
5	U5-008-005	SHIVE SPACER - SHORT	4	MACHINED	14	.5 NC NUT	1/2" NC NUT	5	PURCHASED
6	U5-008-004	SHIVE SPACER - LONG	2	MACHINED	15	.5 LOCK WASHER	1/2" LOCK WASHER	5	PURCHASED
7	U5-008-003	SHIVE BEARING MOUNTING SLEEVE	2	MACHINED	16	.5 FLAT WASHER	1/2" FLAT WASHER	10	PURCHASED
8	U5-008-002	SHIVE SPACER 1/2" SCH 80 PIPE	5	MACHINED					
9	U5-008-001	MACHINED SHEAVE WHEEL	4	BURNT/MACHINED					



SECTION A-A  
SCALE 1:4

PROPRIETARY AND CONFIDENTIAL  
THE INFORMATION CONTAINED IN THIS DRAWING IS THE SOLE PROPERTY OF ZINEX MINING CORP. ANY REPRODUCTION IN PART OR AS A WHOLE WITHOUT THE WRITTEN PERMISSION OF ZINEX MINING CORP. IS PROHIBITED.

CHECKED	NAME	DATE
UNCHECKED		
DRAWN	C.S.	4/2/2011

**U5 SHEAVE ASSEMBLY**

**ZMC ZINEX MINING CORP.**

SIZE DWG. NO.  
**A** U5-008-A01