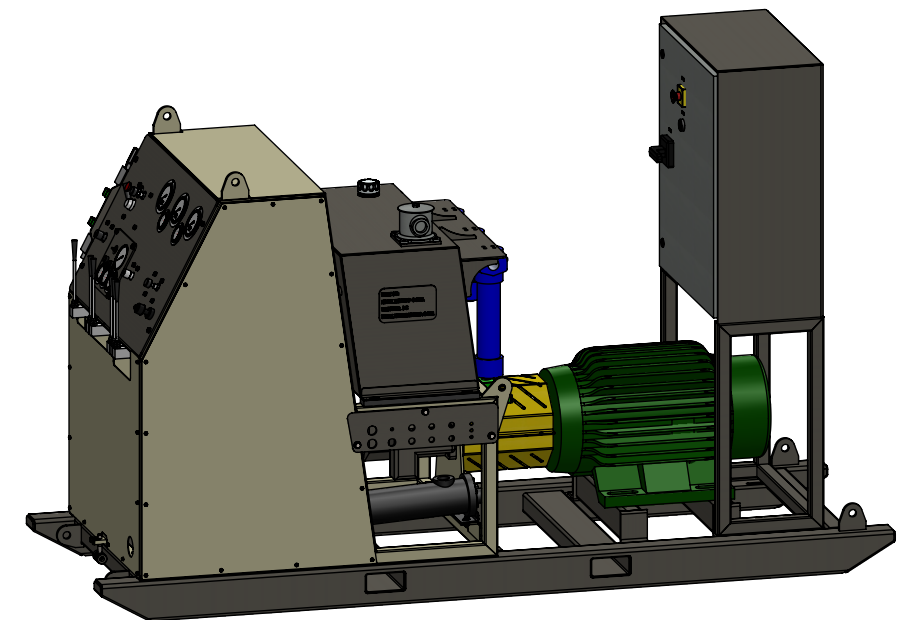
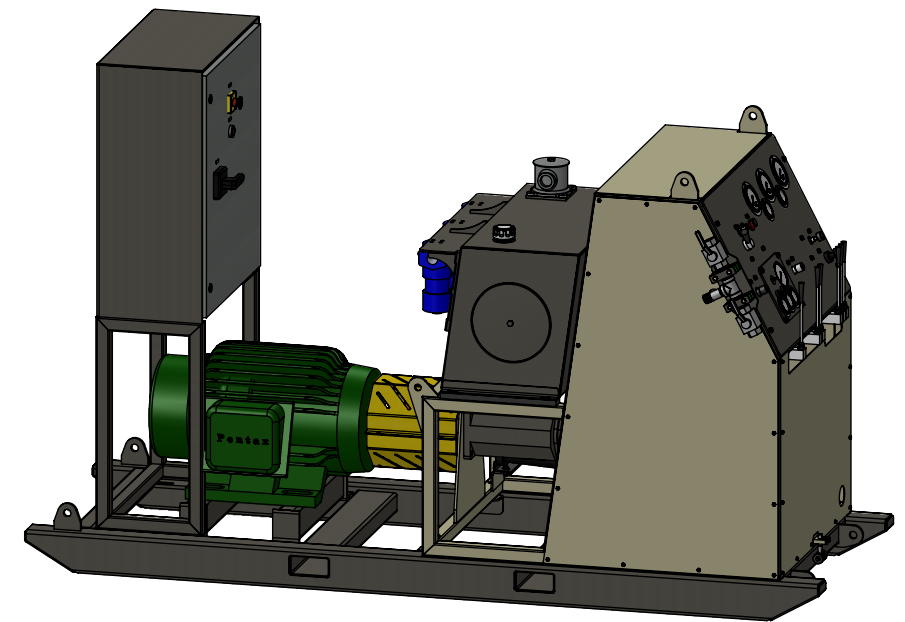
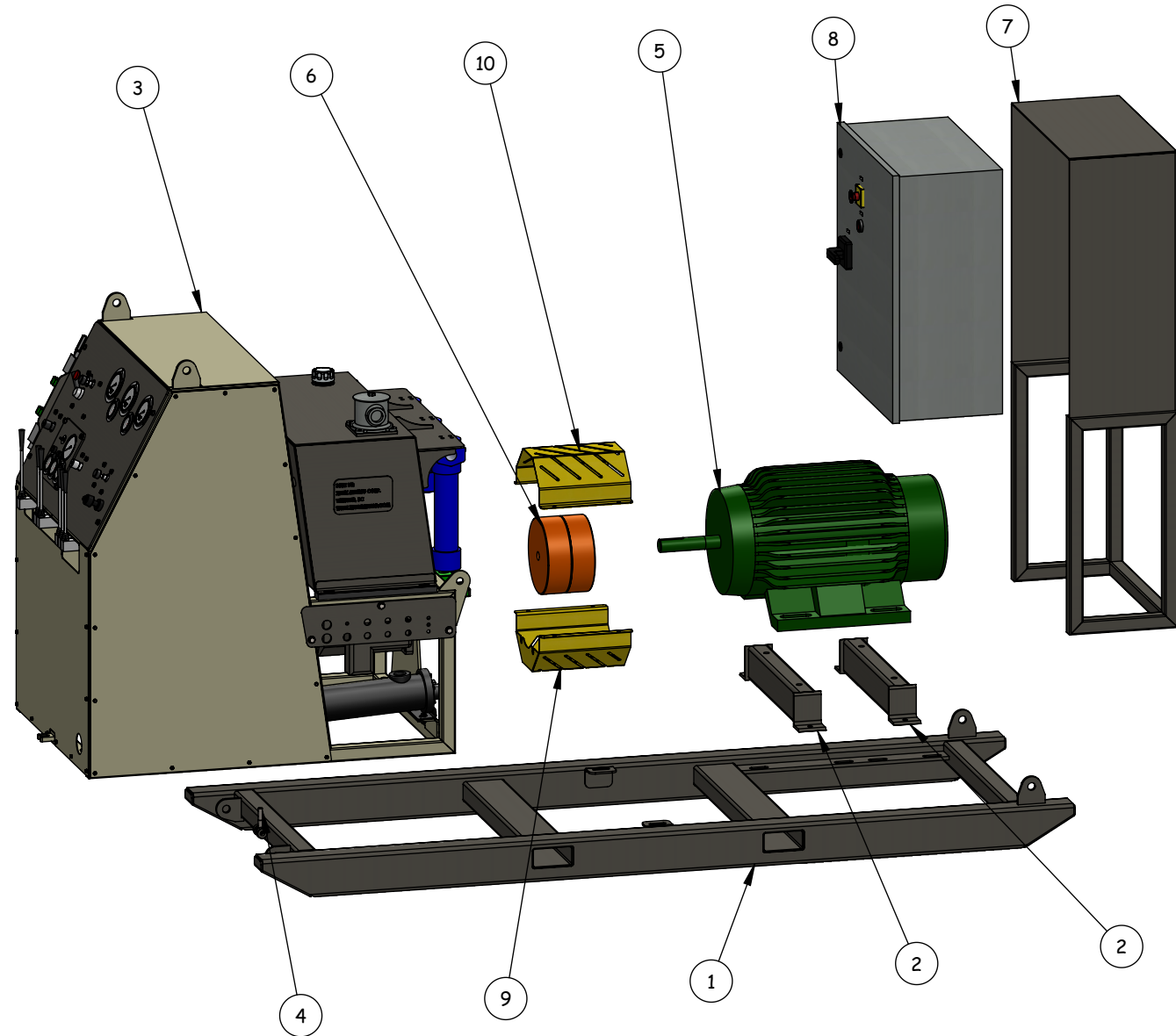


ITEM NO.	PART NUMBER	DESCRIPTION	QTY.
1	U5-030-A01	U5 ENGINE SKID	1
2	U5-032-A01	ELECTRIC MOTOR SUPPORT	2
3	A5-031-A09	STAND/TANK ASSEMBLY	1
4	A5-007-007	SWING BOLT	1
5	U5-075-004	U5 ELECTRIC MOTOR	1

ITEM NO.	PART NUMBER	DESCRIPTION	QTY.
6	U5-075-003	U5 ELECTRIC MOTOR COUPLING	1
7	U5-031-A03	U5 ELECTRICAL PANEL MOUNT FRAME	1
8	U5-031-A05	U5 ELECTRICAL CONTROL PANEL	1
9	U5-010-A01	U5 COUPLING GUARD - BOTTOM	1
10	U5-010-001	U5 COUPLING GUARD - TOP	1



PROPRIETARY AND CONFIDENTIAL  
 THE INFORMATION CONTAINED IN THIS DRAWING IS THE SOLE PROPERTY OF  
 ZINEX MINING CORP. ANY REPRODUCTION IN PART OR AS A WHOLE WITHOUT  
 THE WRITTEN PERMISSION OF ZINEX MINING CORP. IS PROHIBITED.

CHECKED	NAME	DATE
UNCHECKED		
DRAWN	C.S.	12/23/2015

U5 ENGINE SKID  
 ASSEMBLY

**ZMC** ZINEX MINING CORP.  
 SIZE DWG. NO.  
**A** U5-A04