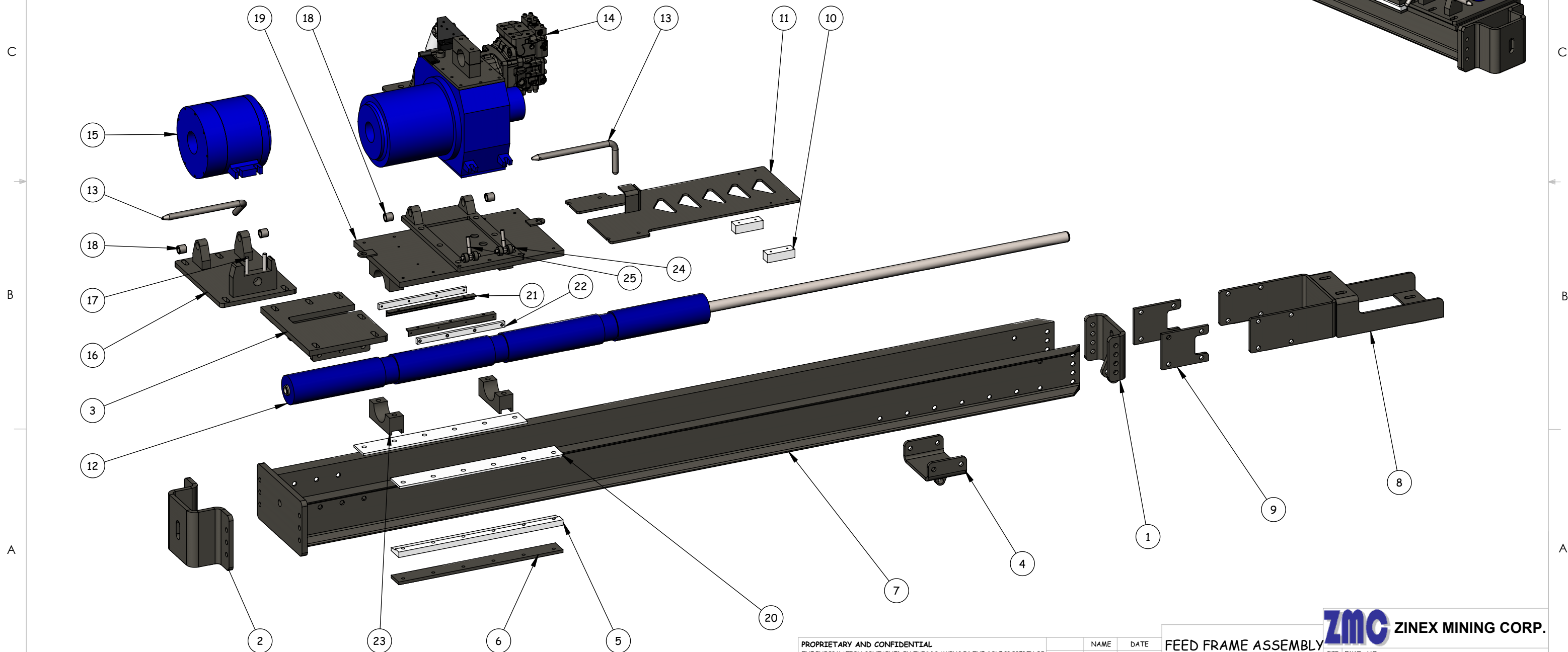
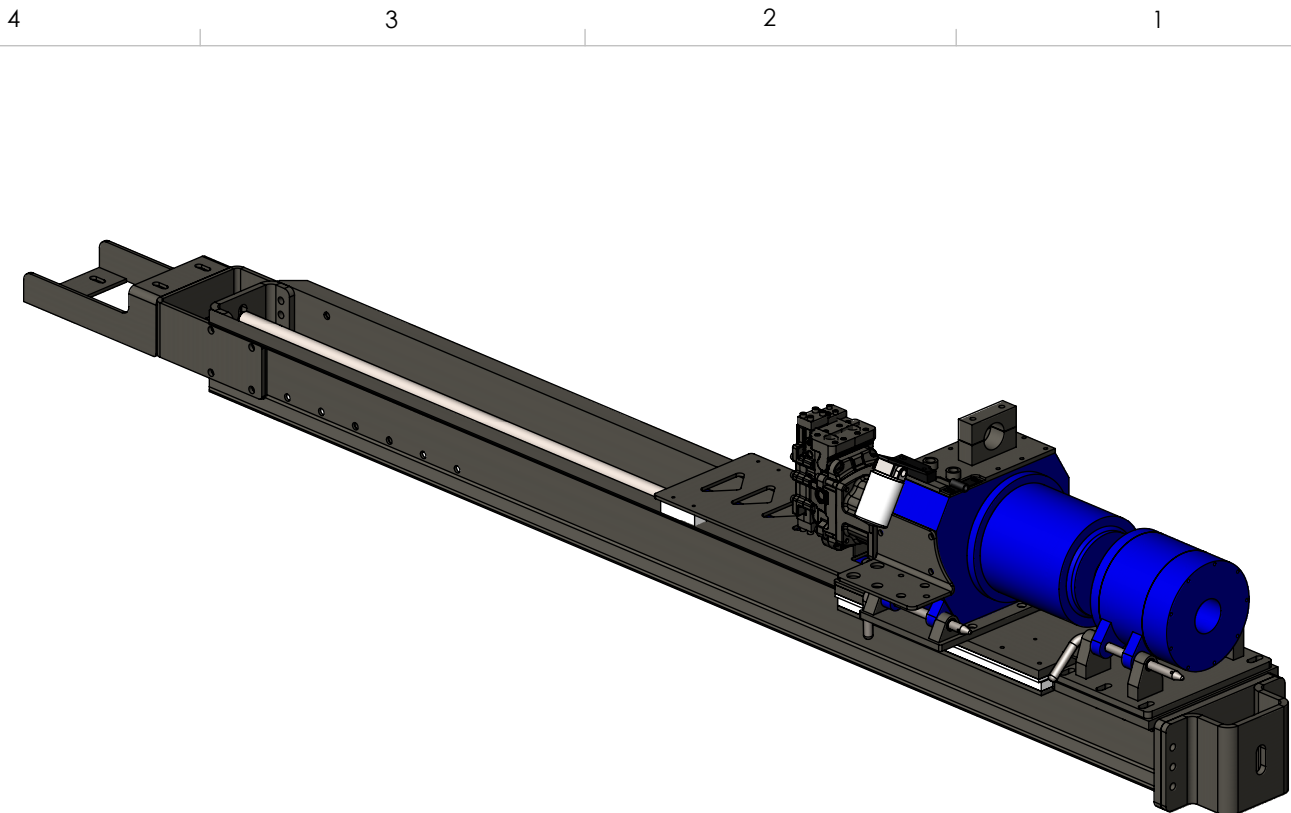


ITEM NO.	PART NUMBER	DESCRIPTION	QTY.
1	U5-003-A02	FEED CYLINDER TOP MOUNT WELDMENT	1
2	U5-003-001	FEED FRAME FORMED END MOUNT	1
3	U5-005-A02	FT CLAMP MOUNT ADAPTER PLATE	1
4	U5-003-A03	MAST DUMP CYLINDER MOUNT BRACKET	1
5	U5-006-003	MACHINED SADDLE MOUNTING UHMW	2
6	U5-004-003	SADDLE MOUNTING PLATE	2
7	U5-003-A01	MAIN FEED FRAME WELDMENT	1
8	U5-003-A05	U5 STINGER MOUNT FRAME	1
9	U5-003-005	STINGER MOUNT SHIMS	2
10	U5-006-001	FEED CYLINDER GUARD UHMW	2
11	U5-012-A01	U5 FEED CYLINDER GUARD	1
12	U5-080-003	U5 FEED CYLINDER - TBH 5250	1
13	A5-007-008-B	HEAD/FOOT CLAMP PIN	2

ITEM NO.	PART NUMBER	DESCRIPTION	QTY.
14	A5-013-A03	B20 DRILL HEAD COMPLETE	1
15	A5-070-003	H/P FOOT CLAMP	1
16	U5-005-A01	FOOT CLAMP MOUNTING ASSEMBLY	1
17	A5-075-012	.625 THREADED ROD	2
18	A5-080-004	HARDENED STEEL BUSHING	4
19	U5-004-A04	U5 SADDLE WELDMENT	1
20	U5-006-005	SADDLE SLIDE UHMW	2
21	U5-004-002	SADDLE ALIGNMENT ANGLE	2
22	U5-006-004	SADDLE ALIGNMENT UHMW	2
23	U5-004-001	CYLINDER MOUNT BLOCK - DRILLED	2
24	A5-007-006	SWING BOLT PIN	2
25	A5-007-007	SWING BOLT	2



PROPRIETARY AND CONFIDENTIAL
 THE INFORMATION CONTAINED IN THIS DRAWING IS THE SOLE PROPERTY OF
 ZINEX MINING CORP. ANY REPRODUCTION IN PART OR AS A WHOLE WITHOUT
 THE WRITTEN PERMISSION OF ZINEX MINING CORP. IS PROHIBITED.

CHECKED	NAME	DATE
DRAWN		3/28/2011

FEED FRAME ASSEMBLY

ZMC ZINEX MINING CORP.
 SIZE DWG. NO.
A U5-A01