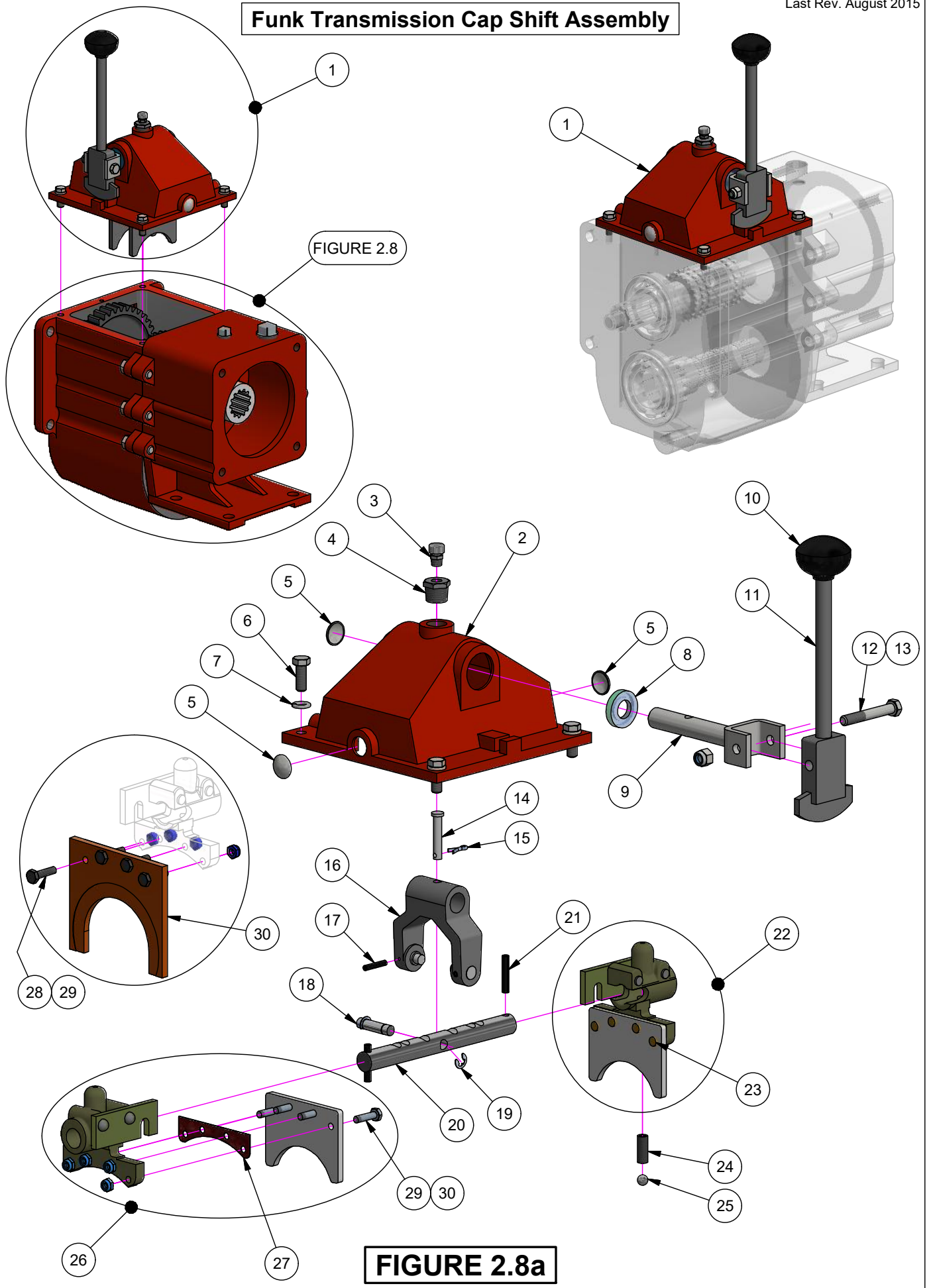


# Funk Transmission Cap Shift Assembly



**FIGURE 2.8a : Funk Transmission Cap Shift Assembly**

ITEM	PART NUMBER	QTY	DESCRIPTION
1	TR-37	1	Shift Cap Assembly R.H.
2	TR-38	1	Shift Cap
3	BRT18NPT	1	Breather 1/8" NPT
4	2081-8-2S	1	BUSHING, THREADED, 1/2 NPT to 1/8 NPT
5	TR-57	3	Expansion Plug
6	HHCS38C1	4	Hex Cap Screw $\varnothing 3/8$ " UNC x 1"
7	LW38	4	Lock Washer 3/8"
8	TR-39	1	Oil Seal CR7513
9	TR-43	1	Shaft, Lever
10	TR-61	1	Knob Lever
11	TR-60	1	Lever Hand Assembly (TR-61 Included)
12	HHCS38F212	1	Hex Cap Screw $\varnothing 3/8$ " UNF x 2 1/2"
13	NLN38F	1	Nylon Lock Nut $\varnothing 3/8$ " UNF
14	TR-44	1	Clevis Pin
15	TR-107	1	Cotter Pin
16	TR-40	1	Lever, Inside
17	TR-42	2	Roll Pin
18	TR-54	1	Pin Inhibiter
19	TR-55	2	Snap Ring
20	TR-53	1	Rail Shaft
21	TR-56	2	Roll Pin
22	TR-45	1	Fork Assembly
23	TR-123	8	Brass Rivet $\varnothing 1/4$ " x 1"
24	TR-51	2	Spring Detent
25	TR-52	2	Ball Detent
26	TR-119	1	Fork Assembly with TR-97
27	TR-97	1	Spacer
28	HHCS14C114M	8	Hex Cap Screw $\varnothing 1/4$ " x 1 1/4" Modified
29	NJN12C	8	Nylon Jam Nut $\varnothing 1/4$ " UNC
30	TR-47A	2	Brass Fork

