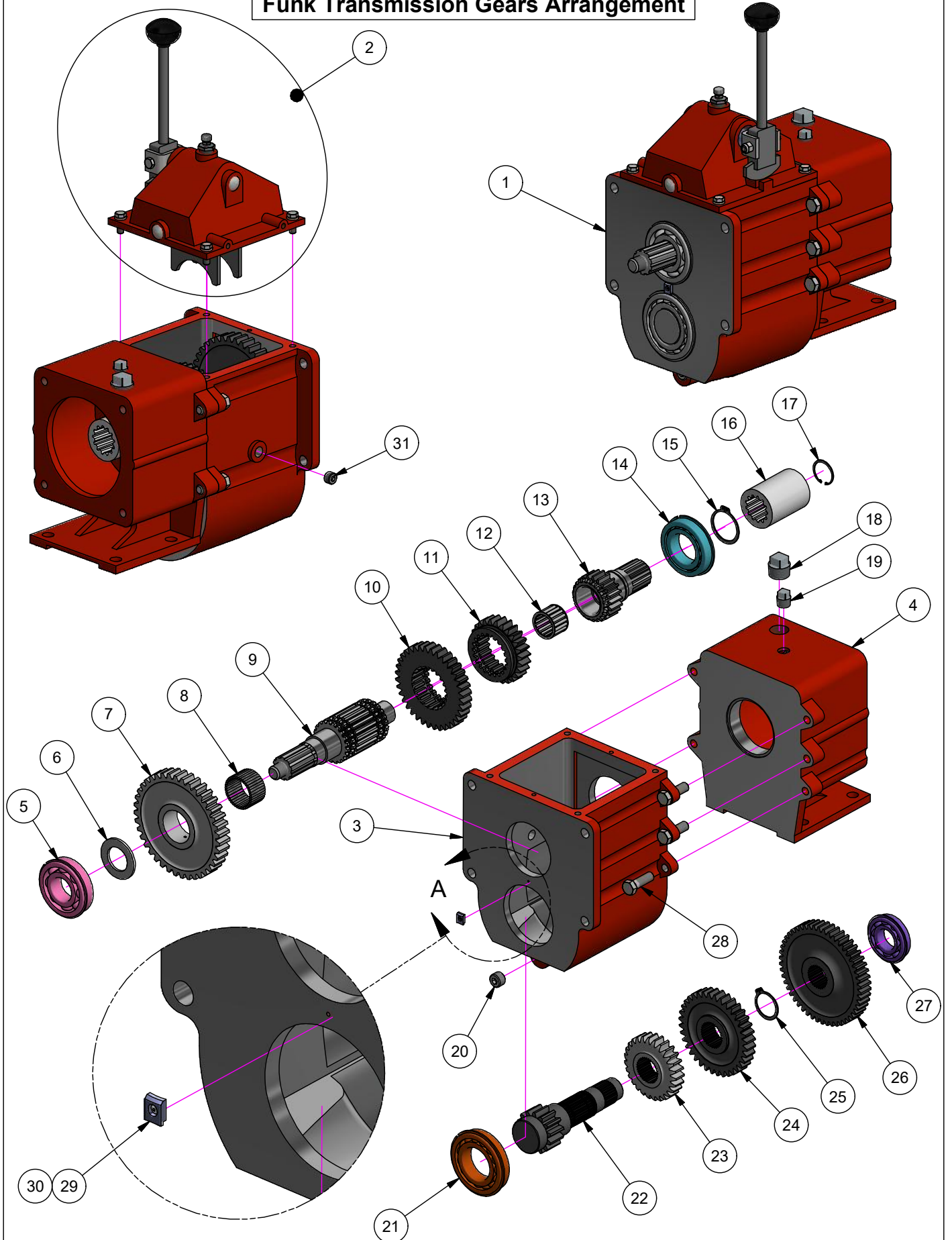


# Funk Transmission Gears Arrangement



**FIGURE 2.8b**

**FIGURE 2.8b : Funk Transmission Gears Arrangement**

ITEM	PART NUMBER	QTY	DESCRIPTION
1	TR	1	Transmission Assembly (TR-104 not included)
2	TR-37	1	Shift Cap Assembly R.H. (FIGURE 2.8a)
3	TR-1	1	Case
4	TR-105	1	Adaptor or Hydraulic Motor
5	TR-18	1	Bearing, Output 308NR
6	TR-16	1	Washer, Low Gear
7	TR-15	1	Gear, Main Shaft LO
8	TR-11	39	Roller, Gear Bore
9	TR-12	1	Shaft Main
10	TR-14	1	Gear, Main Shaft 2ND
11	TR-13	1	Gear, Main Shaft 3RD
12	TR-17	1	Bearing Pilot
13	TR-100	1	Gear Shaft Input
14	TR-101	1	Bearing Input 210NR
15	SNR5100-0200	1	External Retaining Ring 2"
16	TR-104	1	Coupling
17	SNR5000-0150	1	Internal Retaining Ring 1.5"
18	SQHP1NPT	1	Square Head Plug $\varnothing$ 1" NPT
19	SQHP12NPT	1	Square Head Plug $\varnothing$ 1/2" NPT
20	TR-2	1	Magnetic Drain Plug (Allen)
21	TR-10	1	Bearing, Counter Front 211NR
22	TR-7	1	Gear, Counter LO
23	TR-6	1	Gear, Counter 2ND
24	TR-5	1	Gear, Counter 3RD
25	SNR5100-0162	1	External Retaining Ring 1.625"
26	TR-4	1	Gear, Counter Drive
27	TR-9	1	Bearing, Counter Front 207NR
28	HHCS916C134	5	Hex Cap Screw $\varnothing$ 9/16" UNC x 1 3/4"
29	TR-113	1	Bearing Retainer & Screw #6-32 UNC x 1/4"
30	Screw 6C14	1	Hex Socket Button Head Cap Screw #6-32 x 1/4"
31	TR-99	1	Drain Plug Oil 3/8" NPT (Allen)

